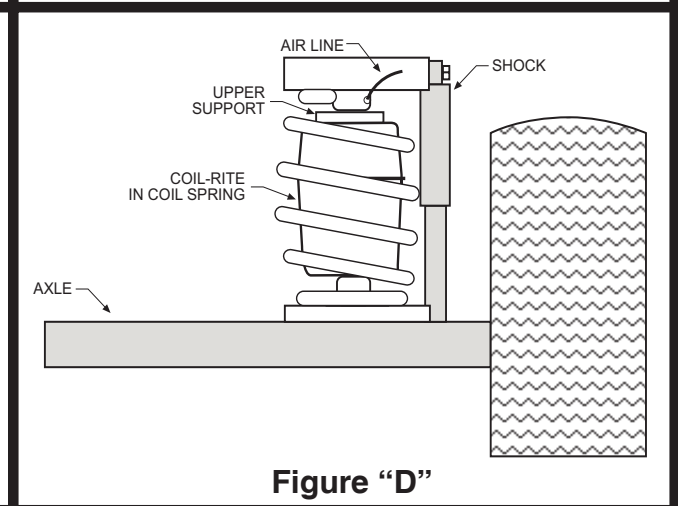
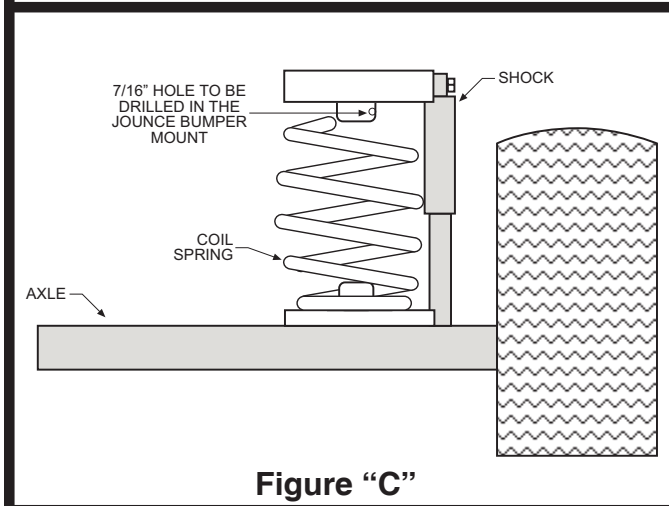
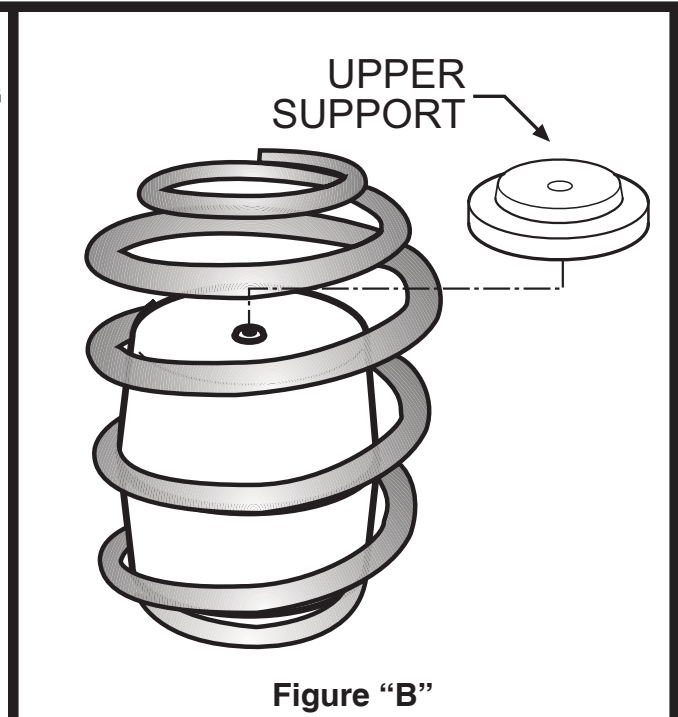
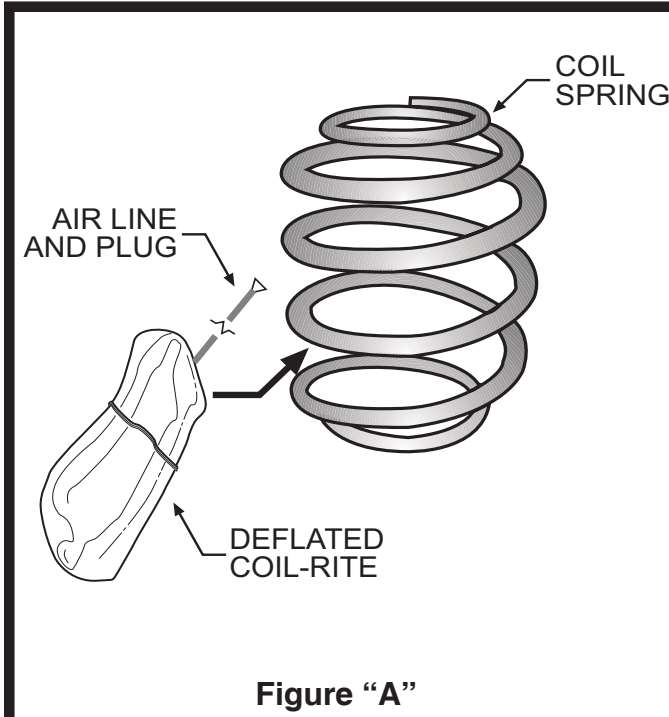


**Read installation instructions completely before installing your Coil-Rite Air Helper Springs.**



<b>PARTS</b>	<b>QTY.</b>
AIR SPRINGS	2
UPPER SUPPORTS	2
18' AIR LINE	1
NYLON TIE	6
INFLATION VALVE	2
5/16" FLAT WASHER	4

<b>RECOMMENDED OPERATING PRESSURES</b>	
SUV's	5 - 35 PSI

## Step 1 – Vehicle Preparation

Remove the negative battery cable. With the vehicle on a solid level surface, chock the front wheels. Using a jack rated for the weight of your vehicle, raise the wheels off the ground. Lower the vehicle frame onto jack stands rated for the vehicle weight, making sure the suspension is fully extended. (Do not use wood or concrete blocks to support the vehicle.) Your vehicle is equipped with jounce bumpers attached to the frame, inside the coil springs. Remove the jounce bumpers by pulling down at an angle (The jounce bumpers will not be reused). Next, drill a 7/16" hole in the jounce bumper mount in the anticipated direction of the air line, **see Figures "C", "D", & "E"**.

## Step 2 – Shock Absorbers

If necessary, additional clearance between the coil windings may be obtained by removing the shock absorbers from the lower mounts and lowering the suspension an additional one to two inches. (**CAUTION: Do not put tension or strain on the flexible brake lines.**)

## Step 3 – Air Spring Preparation

Cut the air line tubing into two equal lengths making sure the tubing is cut as square as possible (a "saw" cut with a sharp knife is preferred). Install the tubing into the push-to-connect air inlet on the air spring. Exhaust the air from the air spring by rolling it up towards the air inlet. After the air is exhausted, install the plug into the tubing coming out of the air spring, **see Figure "A"**.

## Step 4 – Install the Air Spring

Insert the top of the flattened air spring into the coil spring through the lowest opening in the coil spring with the air inlet at the top of the coil spring, **see Figures "A", "B", & "D"**. Push the air spring into the coil spring by hand or with a blunt tool. **DO NOT use anything with sharp edges or corners, as damage may occur.** When the air spring is completely within the coil spring, remove the plug and allow the air spring to return to its normal shape. Push the air spring to the bottom of the coil spring and insert the protector between the air spring and the jounce bumper mount. **See Figures "B" & "D"**. For installation on the right side, repeat Steps 2 through 4.

## Step 5 – Route the Air Line

Select a location for the inflation valves in a protected area such as on the bumper or body. Use a sleeve protector on the air line to protect the tubing where it passes through the jounce bumper mount. Route the air line from the air springs, through the 7/16" hole drilled in step 1, to the inflation valves (**Figure "E" & "F"**). Avoid any sharp edges or hot surfaces as well as sharp angles. The air line can be secured with the nylon ties provided. Install the inflation valves into 5/16" holes, **see Figure "F"**. Cut off any excess air line using the method mentioned above and push the end as far as possible into the inflation valve.

## Step 7 – Inflate and Test

Inflate the air springs to recommended maximum operating pressure (see page 1 for operating pressures). With a soap and water solution, check for air leaks around the fittings and valve core. Inflate and deflate in small increments to find the ideal riding conditions for your vehicle.

## Step 8 – Completion

Re-attach the shocks if necessary and the wheels. Torque all nuts and lug nuts to manufacturer's specifications. Raise the vehicle, remove the jack stands, and lower the vehicle to the ground. Reattach the battery cable.

